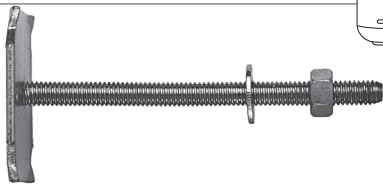
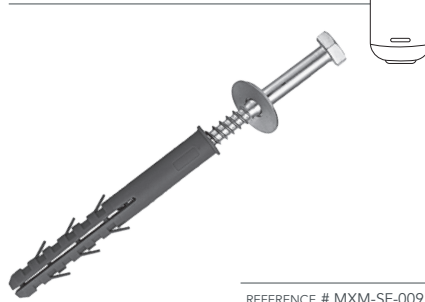


SUPPORT
FOR WATER HEATER



8 x 125	10 x 150	REFERENCE #
80	80	MXM-SF-001
110	110	MXM-SF-002
140	140	MXM-SF-003

BREEZE BLOCK FIXING
FOR WATER HEATER



REFERENCE # MXM-SF-009			
Ø WOOD SCREW	L WOOD SCREW	Ø PLUG	L PLUG
10	140	14	120

HOLLOW WALL FIXING
FOR WASH BASIN



Ø THREADED ROD	L THREADED ROD	HOLLOW ANCHOR	REFERENCE #
8	95	8x37	MXM-SF-015
8	110	8x55	MXM-SF-016
8	110	8x68	MXM-SF-017

WALL INSULATION FIXING
FOR WATER HEATER



Ø SCREW	L SCREW	Ø PLUG	L PLUG	REFERENCE #
8	210	10	160	MXM-SF-004
8	250	10	200	MXM-SF-005

WALL SEALED FIXING
FOR WATER HEATER



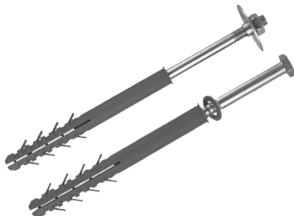
REFERENCE # MXM-SF-010		
Ø SUPPORT	L SUPPORT	Ø NUT
10	140	10

INSULATION FIXATION
FOR WASH BASIN



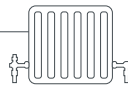
Ø THREADED PIN	L THREADED PIN	Ø PLUG	L PLUG	REFERENCE #
7	80	10	80	MXM-SF-018
7	100	10	100	MXM-SF-019
7	120	10	120	MXM-SF-020
7	160	10	160	MXM-SF-021
7	200	10	200	MXM-SF-022
10	200	12	200	MXM-SF-023
10	240	12	240	MXM-SF-024
12	140	16	140	MXM-SF-025
12	160	16	160	MXM-SF-026
12	200	16	200	MXM-SF-027

INSULATION FIXING
FOR WATER HEATER



Ø WOOD SCREW & THREADED PIN	L WOOD SCREW & THREADED PIN	Ø PLUG	L PLUG	REFERENCE #
12	240/200	16	200	MXM-SF-006
12	260/240	16	240	MXM-SF-007

INSULATION SUPPORT
FOR RADAITOR



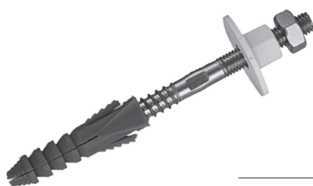
Ø SCREW	L SCREW	Ø PLUG	L PLUG	REFERENCE #
8	210	10	160	MXM-SF-011
8	250	10	200	MXM-SF-012

LONG PLUG
FOR TOILET FIXING



Ø SCREW	L SCREW	Ø PLUG	L PLUG	REFERENCE #
6	80	8	80	MXM-SF-027
6	60	8	60	MXM-SF-028

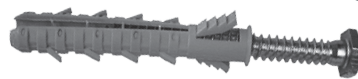
WATER HEATER FIXING
WITH SCREW



REFERENCE # MXM-SF-008

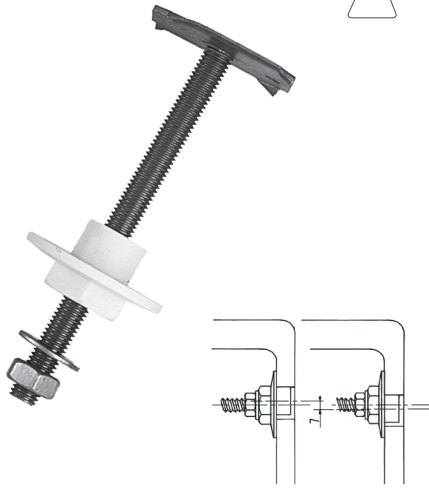
Ø THREADED PIN	L THREADED PIN	Ø PLUG	L PLUG
8	120	14	120

ROOF FRAME FIXING
OR SATELLITE DISH FIXING



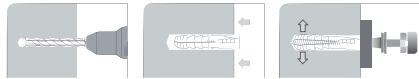
Ø THREADED PIN	L THREADED PIN	Ø PLUG	L PLUG	DÉSIGNATION	REFERENCE #
10	140	12	130	Satellite dish	MXM-SF-013
10	140	12	130	Roof frame	MXM-SF-014

SEALED FIXING
FOR WASH BASIN



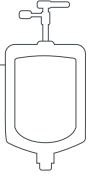
Ø SUPPORT	L SUPPORT	REFERENCE #
8	90	MXM-SF-030
8	110	MXM-SF-031
8	140	MXM-SF-032
8	200	MXM-SF-033
10	80	MXM-SF-034
10	110	MXM-SF-035
10	140	MXM-SF-036

TOILET AND BIDET
FIXING WITH THREADED PIN



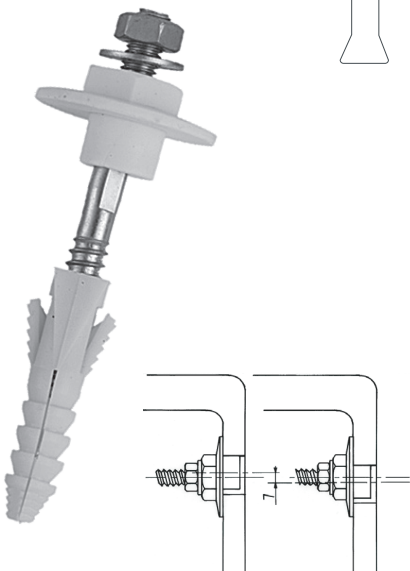
Ø WOOD SCREW	L WOOD SCREW	Ø PLUG	REFERENCE #
6	60	8x40	MXM-SF-050
6	70	8x40 8x40	MXM-SF-051
6	80	8x40	MXM-SF-052

FIXATION
POUR URINAL



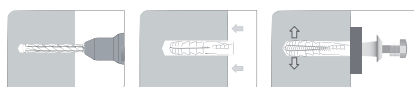
Ø SCREW	L SCREW	Ø PLUG	L PLUG	REFERENCE #
8	110	12	60	MXM-SF-070
8	210	10	160	MXM-SF-071
8	250	10	200	MXM-SF-072
12	120	15	65	MXM-SF-073

WASH BASIN FIXING



Ø SCREW	L SCREW	Ø PLUG	L PLUG	REFERENCE #
8	90	12	60	MXM-SF-040
8	110	12	60	MXM-SF-041
10	100	14	65	MXM-SF-042
10	120	14	65	MXM-SF-043
10	140	14	65	MXM-SF-044
10	180	14	65	MXM-SF-045

TOILET AND BIDET
FIXING WITH HEX SCREW



Ø HEX SCREW	L HEX SCREW	Ø PLUG	REFERENCE #
6	60	8x40	MXM-SF-060
6	70	8x40 8x40	MXM-SF-061
6	80	8x40	MXM-SF-062

INSULATION FIXING
FOR WASH BASIN



Ø THREADED PIN	L THREADED PIN	Ø PLUG	L PLUG	REFERENCE #
8	210	10	160	MXM-SF-080
8	250	10	200	MXM-SF-81